



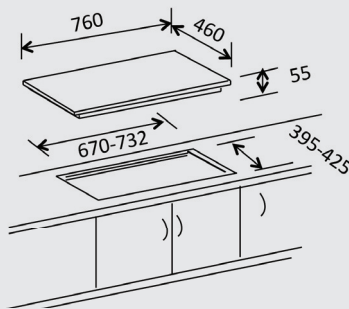
B-748LSV

General Specification:

- Stainless Steel Finishing
- Battery Operated Ignition
- Double Ring Flame
- Double-Jet System (L Side)
- Cast Iron Trivets
- Attachable wok Support
- Flame Failure Device

Overall Dimension (mm)
W:760 x D:460 x H-55

Cut-out Dimension (mm)
W:670-732 x D:395-425, 4-R118



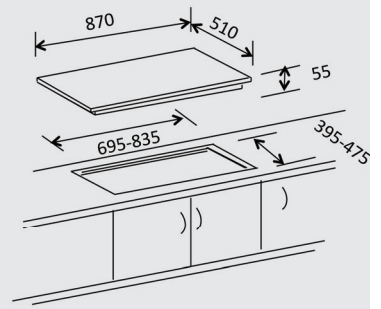
OS-902

General Specification:

- Stainless Steel Finishing
- Blossom Flame Burners
- Battery Operated Ignition
- Double-Jet System (L&R)
- Cast Iron Trivets
- Flame Failure Device (Optional)

Overall Dimension (mm)
W:870 x D:510 x H-55

Cut-out Dimension (mm)
W:695-835 x D:395-475, 4-R118



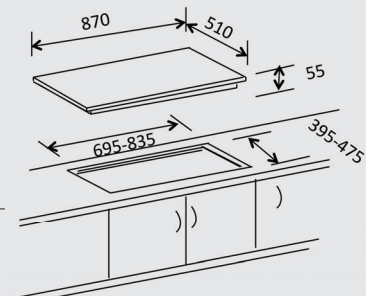
OS-903

General Specification:

- Stainless Steel Finishing
- Blossom Flame Burners
- Battery Operated Ignition
- Double-Jet System (L&R)
- Cast Iron Trivets
- Flame Failure Device (Optional)

Overall Dimension (mm)
W:870 x D:510 x H-55

Cut-out Dimension (mm)
W:695-835 x D:395-475, 4-R118



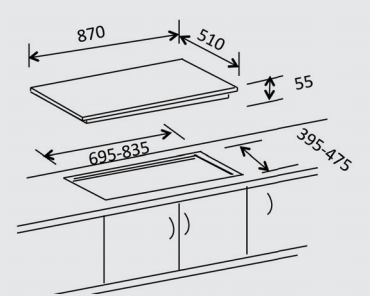
OS-923

General Specification:

- Stainless Steel Finishing
- Blossom Flame Burners
- Battery Operated Ignition
- Double-Jet System (L)
- Medium & Small Burners
- Cast Iron Trivets
- Flame Failure Device (Optional)

Overall Dimension (mm)
W:870 x D:510 x H-55

Cut-out Dimension (mm)
W:695-835 x D:395-475, 4-R118





EB-218SV

General Specification:

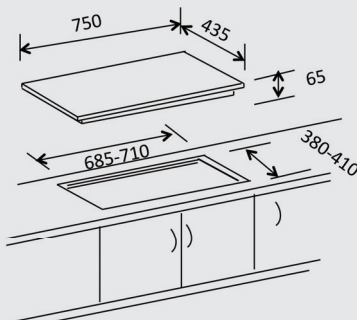
- Stainless Steel Finishing
- Dancing Flame Burners
- Battery Operated Ignition
- Double-Jet System (L&R)
- Cast Iron Trivets
- Flame Failure Device

Overall Dimension (mm)

W:750 x D:435 x H-65

Cut-out Dimension (mm)

W:685-710 x D:380-410, 4-R50



EB-238SV

General Specification:

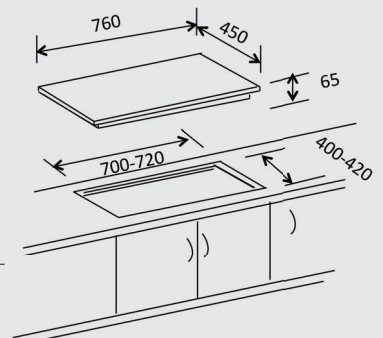
- Stainless Steel Finishing
- Blossom Flame Burners
- Battery Operated Ignition
- Double-Jet System (L&R)
- Cast Iron Trivets
- Flame Failure Device

Overall Dimension (mm)

W:760 x D:450 x H-65

Cut-out Dimension (mm)

W:700-720 x D:400-420, 4-R20



EB-228SV

General Specification:

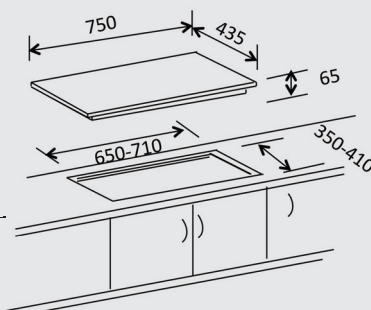
- Stainless Steel Finishing
- Blossom Flame Burners
- Battery Operated Ignition
- Double-Jet System (L&R)
- Cast Iron Trivets
- Flame Failure Device

Overall Dimension (mm)

W:750 x D:435 x H-65

Cut-out Dimension (mm)

W:650-710 x D:350-410, 4-R30



EB-248SV

General Specification:

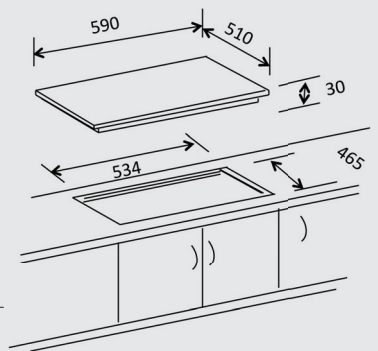
- Stainless Steel Finishing
- Battery Operated Ignition
- Double-Jet System (L)
- SABAF Burners
- Cast Iron Trivets
- 1 x Triple Ring (Big)
- 1 x Semi Rapid Burner
- 1 x Auxiliary Burner
- Flame Failure Device

Overall Dimension (mm)

W:590 x D:510 x H-30

Cut-out Dimension (mm)

W:534 x D:465, 4-R20





EGH-18LSV

General Specification:

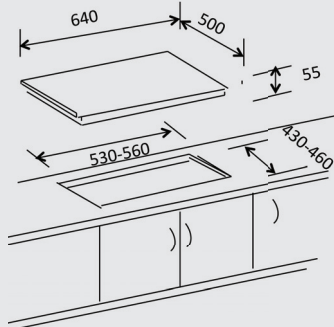
- SCHOTT Toughened Glass
- Double Flame Burners
- Battery Operated Ignition
- Double-Jet System (L)
- Enamelled Trivets
- Flame Failure Device (Optional)

Overall Dimension (mm)

W:640 x D:500 x H-55

Cut-out Dimension (mm)

W:530-560 x D:430-460, 4-R50



WG-2SV

General Specification:

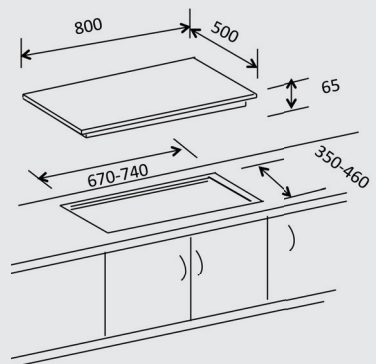
- Toughened Glass
- Blossom Flame Burners
- Battery Operated Ignition
- Double-Jet System (L&R)
- Cast Iron Trivets
- Flame Failure Device

Overall Dimension (mm)

W:800 x D:500 x H-65

Cut-out Dimension (mm)

W:670-740 x D:350-460, 4-R50



EGH-208SV

General Specification:

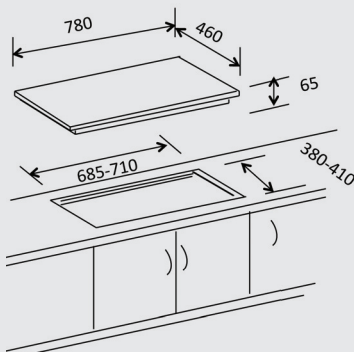
- Toughened Glass
- Dancing Flame Burners
- Battery Operated Ignition
- Double-Jet System (L&R)
- Cast Iron Trivets
- Flame Failure Device

Overall Dimension (mm)

W:780 x D:460 x H-65

Cut-out Dimension (mm)

W:685-710 x D:380-410, 4-R50



WG-3SV

General Specification:

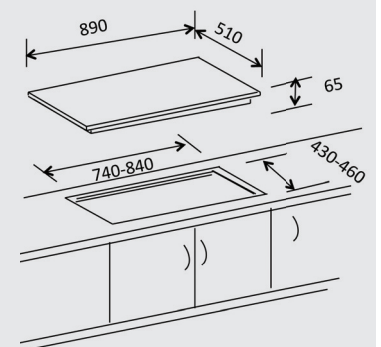
- Toughened Glass
- Blossom Flame Burners
- Battery Operated Ignition
- Double-Jet System (L&R)
- Cast Iron Trivets
- Flame Failure Device

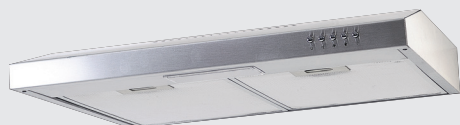
Overall Dimension (mm)

W:890 x D:510 x H-65

Cut-out Dimension (mm)

W:740-840 x D:430-460, 4-R50





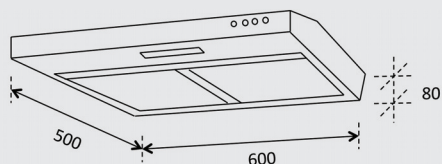
ER-9060

General Specification:

- 600mm Conventional Hood
- Stainless Steel Finishing
- 2 x 100w Motor
- 1 x 40w Warm Light
- 3-Speed Mechanical Push Button Control
- 2 x Aluminium Metallic Filter
- 2 x Carbon Filter

Air-Flow: 450 m³/h

Noise Level: 61db (LPA)



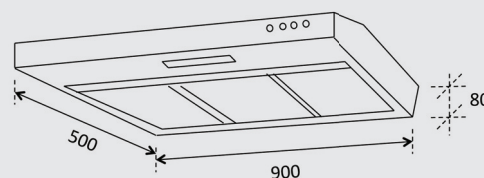
ER-9080

General Specification:

- 900mm Conventional Hood
- Stainless Steel Finishing
- 2 x 100w Motor
- 1 x 40w Warm Light
- 3-Speed Mechanical Push Button Control
- 3 x Aluminium Metallic Filter
- 3 x Carbon Filter

Air-Flow: 450 m³/h

Noise Level: 61db (LPA)



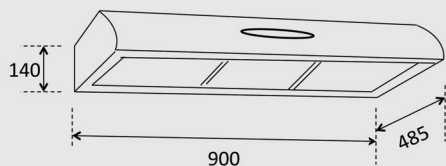
EH-2930

General Specification:

- 900mm Conventional Hood
- Stainless Steel Finishing
- 2 x 130w Motor
- 1 x 40w Warm Light
- 3-Speed Sliding Switch Control
- 3 x Aluminium Metallic Filter
- 3 x Carbon Filter

Air-Flow: 450 m³/h

Noise Level: 61db (LPA)



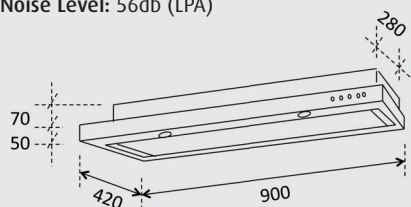
EH-2980

General Specification:

- 900mm Slim-Line Hood
- Stainless Steel Finishing
- 2 x 63w Motor
- 2 x 1.5w LED Light
- 3-Speed Mechanical Push Button Control
- 1 x Flat Stainless Steel Filter
- 1 x Carbon Filter

Air-Flow: 550 m³/h

Noise Level: 56db (LPA)



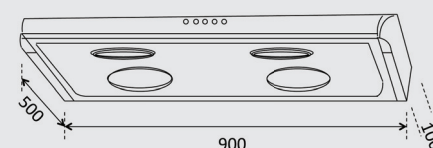
EH-2988

General Specification:

- 900mm Conventional Hood
- Stainless Steel Finishing
- Hot Auto Clean
- 2 x 160w Motor
- 2 x 40w Warm Light
- 2-Speed Mechanical Push Button Control
- 4 x Oil Collectors
- 1 x Carbon Filter

Air-Flow: 720 m³/h

Noise Level: 56db (LPA)





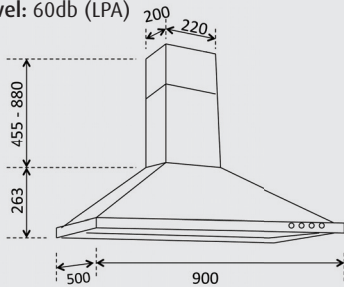
EH-6388

General Specification:

- 900mm Chimney Hood
- Stainless Steel Finishing
- 1 x 250w Motor
- 2 x 1.5w LED Light
- 3-Speed Mechanical Push Button Control
- 3 x Aluminium Metallic Filter
- 2 x Charcoal Filter

Air-Flow: 800 m³/h

Noise Level: 60db (LPA)



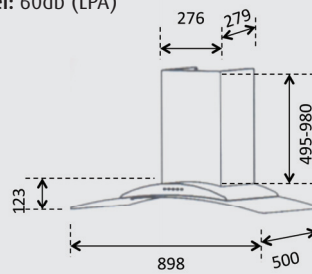
EH-6689

General Specification:

- 900mm Chimney Hood
- Stainless Steel Body with Arch Glass
- 1 x 250w Motor
- 2 x 1.5w LED Light
- 3-Speed Push Button Electronic Control
- 1 x Aluminium Metallic Filter
- 1 x Charcoal Filter

Air-Flow: 800 m³/h

Noise Level: 60db (LPA)



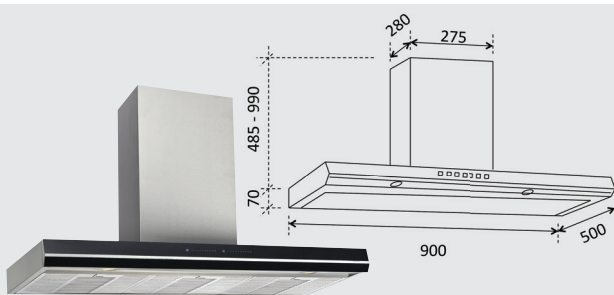
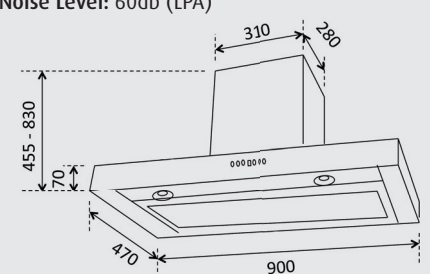
EH-6910

General Specification:

- 900mm Chimney Hood
- Stainless Steel Finishing
- 1 x 198w Motor
- 2 x 1.5w LED Light
- 3-Speed Electronic Push Button Control
- 1 x Flat Stainless Steel Filter
- 2 x Charcoal Filter

Air-Flow: 850 m³/h

Noise Level: 60db (LPA)



EH-6920

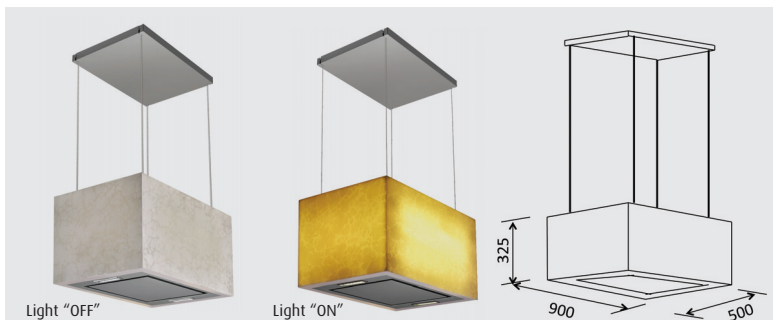
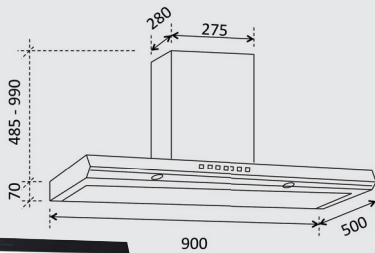
General Specification:

- 900mm Chimney Hood
- Stainless Steel Finishing with Arcylic Panel
- Stepless Soft Touch Speed Switch
- 3 x Stainless Steel Cassette Filter
- 1 x Charcoal Filter

- 1 x 270w Motor
- 2 x 2w LED Light

Air-Flow: 1000 m³/h

Noise Level: 59db (LPA)



EH-6980

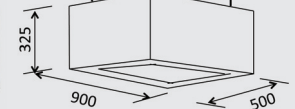
General Specification:

- 900mm Island Hood
- Stainless Steel Finishing with Arcylic Marble
- 3-Speed Electronic Push Button with Remote
- 1 x Aluminium Metallic Filter
- 1 x Charcoal Filter

- 1 x 210w Motor
- 2 x 1.5w LED Light

Air-Flow: 800 m³/h

Noise Level: 60db (LPA)





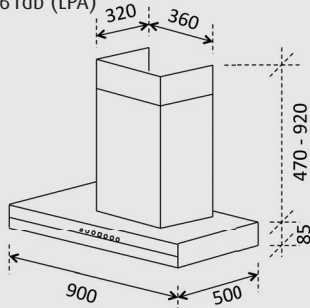
EH-2680

General Specification:

- 900mm Chimney Hood
- Stainless Steel Finishing
- 1 x 270w Motor
- 2 x 1.5w LED Light
- 3-Speed Soft Touch Speed Switch
- 1 x Stainless Steel Baffle Filter
- 1 x Charcoal Filter

Air-Flow: 1200 m³/h

Noise Level: 61db (LPA)



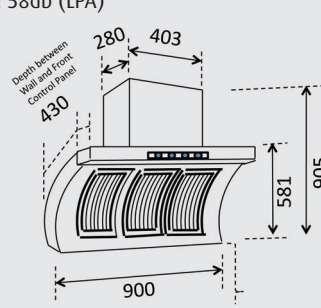
EH-2683

General Specification:

- 900mm Wall-Mount Hood
- Stainless Steel Finishing
- 1 x 270w Motor
- 2 x 1.5w LED Light
- 3-Speed Soft Touch Speed Switch
- 3 x Stainless Steel Baffle Filter
- 1 x Charcoal Filter

Air-Flow: 1200 m³/h

Noise Level: 58db (LPA)



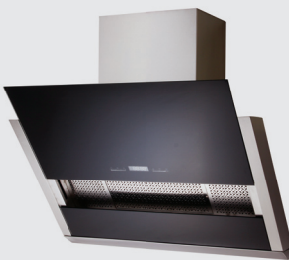
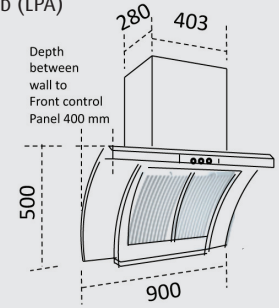
EH-2688

General Specification:

- 900mm Wall-Mount Hood
- Stainless Steel Body with Arch Glass
- 1 x 270w Motor
- 2 x 1.5w LED Light
- 3-Speed push button control
- 2 x Stainless Steel Baffle Filter
- 1 x Charcoal Filter

Air-Flow: 1200 m³/h

Noise Level: 58db (LPA)



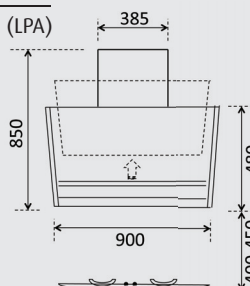
EH-2689

General Specification:

- 900mm Wall-Mount Hood
- Tempered Glass Auto-pull with Stainless Steel Body
- 1 x 260w Motor
- 2 x 1.5w LED Light
- 3-Speed Soft Touch Speed Switch
- 1 x Stainless Steel Filter
- 1 x Charcoal Filter

Air-Flow: 1000 m³/h

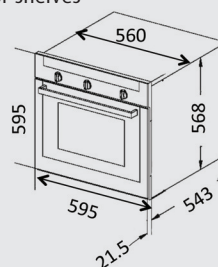
Noise Level: 65db (LPA)



B02AAP-3S

General Specification:

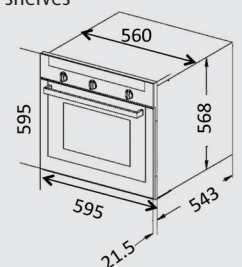
- Tempered Glass Door and Panel
- Mechanical Control System
- Push & Pull Knob
- 120 mins Timer
- Temperature 50°C - 250°C
- "A" Rated Energy Efficiency
- 56 Litres Capacity
- With cooling system
- Rounded aluminum handle
- 3 layers of transparent tempered glass door
- 5 slot's position for shelves










B02BBP-3S

General Specification:

- Anti-finger print (#430 S/S) panel
- Mechanical Control System
- Push & Pull Knob
- 120 mins Timer
- Temperature 50°C - 250°C
- "A" Rated Energy Efficiency
- 56 Litres Capacity
- With cooling system
- Rounded aluminum handle
- 3 layers of transparent tempered glass door
- 5 slot's position for shelves



		ER-9060	ER-9080	EH-2930	EH-2980	EH-2988	EH-6388	EH-6689	EH-6910	EH-6920	EH-6980	EH-2680	EH-2683	EH-2688	EH-2689	
Hood		W-600 x H-80 D-500 x H-80 Airflow: 450m³/h	W-900 x H-80 D-500 x H-80 Airflow: 450m³/h	W-900 x H-140 D-485 x H-140 Airflow: 450m³/h	W-900 x D-420 x H-50-70 Airflow: 550m³/h	W-900 x H-100 D-500 x H-100 Airflow: 720m³/h	W-900 x H-718 D-500 x H-718 Airflow: 800m³/h	W-898 x H-618 D-500 x H-618 Airflow: 800m³/h	W-900 x H-455 D-470 x H-455 Airflow: 850m³/h	W-900 x H-555 D-500 x H-555 Airflow: 1000m³/h	W-900 x H-325 D-500 x H-325 Airflow: 800m³/h	W-900 x H-555 D-430 x H-905 Airflow: 1200m³/h	W-900 x H-860 D-400 x H-860 Airflow: 1200m³/h	W-900 x H-850 D-440 x H-850 Airflow: 1000m³/h		
		\$636 Usual: \$696	\$636 Usual: \$696	\$636 Usual: \$696	\$666 Usual: \$726	\$726 Usual: \$786	\$716 Usual: \$816	\$936 Usual: \$1036	\$936 Usual: \$1036	\$936 Usual: \$1036	\$1,007 Usual: \$1107	\$1,596 Usual: \$1696	\$1,107 Usual: \$1207	\$1,316 Usual: \$1416	\$1,396 Usual: \$1496	\$1,496 Usual: \$1596
Hob		W-695-835 x D-395-475 x H-55	W-695-835 x D-395-475 x H-55	W-695-835 x D-395-475 x H-55	W-695-835 x D-395-475 x H-55	W-695-835 x D-395-475 x H-55	W-695-835 x D-395-475 x H-55	W-695-835 x D-395-475 x H-55	W-695-835 x D-395-475 x H-55	W-695-835 x D-395-475 x H-55	W-695-835 x D-395-475 x H-55	W-695-835 x D-395-475 x H-55	W-695-835 x D-395-475 x H-55	W-695-835 x D-395-475 x H-55	W-695-835 x D-395-475 x H-55	
		\$676 Usual: \$736	\$676 Usual: \$736	\$676 Usual: \$736	\$706 Usual: \$766	\$766 Usual: \$826	\$756 Usual: \$856	\$976 Usual: \$1076	\$976 Usual: \$1076	\$976 Usual: \$1076	\$1,047 Usual: \$1147	\$1,636 Usual: \$1736	\$1,147 Usual: \$1247	\$1,356 Usual: \$1456	\$1,436 Usual: \$1536	\$1,536 Usual: \$1636
B-748LSV		W-670-732 x D-395-425 x H-55	W-670-732 x D-395-425 x H-55	W-670-732 x D-395-425 x H-55	W-670-732 x D-395-425 x H-55	W-670-732 x D-395-425 x H-55	W-670-732 x D-395-425 x H-55	W-670-732 x D-395-425 x H-55	W-670-732 x D-395-425 x H-55	W-670-732 x D-395-425 x H-55	W-670-732 x D-395-425 x H-55	W-670-732 x D-395-425 x H-55	W-670-732 x D-395-425 x H-55	W-670-732 x D-395-425 x H-55	W-670-732 x D-395-425 x H-55	
		\$626 Usual: \$686	\$626 Usual: \$686	\$626 Usual: \$686	\$656 Usual: \$716	\$716 Usual: \$776	\$706 Usual: \$806	\$926 Usual: \$1026	\$926 Usual: \$1026	\$926 Usual: \$1026	\$997 Usual: \$1097	\$1,586 Usual: \$1686	\$1,097 Usual: \$1197	\$1,306 Usual: \$1406	\$1,386 Usual: \$1486	\$1,486 Usual: \$1586
EB-218SV		W-685-710 x D-380-410 x H-65	W-685-710 x D-380-410 x H-65	W-685-710 x D-380-410 x H-65	W-685-710 x D-380-410 x H-65	W-685-710 x D-380-410 x H-65	W-685-710 x D-380-410 x H-65	W-685-710 x D-380-410 x H-65	W-685-710 x D-380-410 x H-65	W-685-710 x D-380-410 x H-65	W-685-710 x D-380-410 x H-65	W-685-710 x D-380-410 x H-65	W-685-710 x D-380-410 x H-65	W-685-710 x D-380-410 x H-65	W-685-710 x D-380-410 x H-65	
		\$626 Usual: \$686	\$626 Usual: \$686	\$626 Usual: \$686	\$656 Usual: \$716	\$716 Usual: \$776	\$706 Usual: \$806	\$926 Usual: \$1026	\$926 Usual: \$1026	\$926 Usual: \$1026	\$997 Usual: \$1097	\$1,586 Usual: \$1686	\$1,097 Usual: \$1197	\$1,306 Usual: \$1406	\$1,386 Usual: \$1486	\$1,486 Usual: \$1586
EB-228SV		W-650-710 x D-350-410 x H-65	W-650-710 x D-350-410 x H-65	W-650-710 x D-350-410 x H-65	W-650-710 x D-350-410 x H-65	W-650-710 x D-350-410 x H-65	W-650-710 x D-350-410 x H-65	W-650-710 x D-350-410 x H-65	W-650-710 x D-350-410 x H-65	W-650-710 x D-350-410 x H-65	W-650-710 x D-350-410 x H-65	W-650-710 x D-350-410 x H-65	W-650-710 x D-350-410 x H-65	W-650-710 x D-350-410 x H-65	W-650-710 x D-350-410 x H-65	
		\$626 Usual: \$686	\$626 Usual: \$686	\$626 Usual: \$686	\$656 Usual: \$716	\$716 Usual: \$776	\$706 Usual: \$806	\$926 Usual: \$1026	\$926 Usual: \$1026	\$926 Usual: \$1026	\$997 Usual: \$1097	\$1,586 Usual: \$1686	\$1,097 Usual: \$1197	\$1,306 Usual: \$1406	\$1,386 Usual: \$1486	\$1,486 Usual: \$1586
EB-238SV		W-700-720 x D-400-420 x H-65	W-700-720 x D-400-420 x H-65	W-700-720 x D-400-420 x H-65	W-700-720 x D-400-420 x H-65	W-700-720 x D-400-420 x H-65	W-700-720 x D-400-420 x H-65	W-700-720 x D-400-420 x H-65	W-700-720 x D-400-420 x H-65	W-700-720 x D-400-420 x H-65	W-700-720 x D-400-420 x H-65	W-700-720 x D-400-420 x H-65	W-700-720 x D-400-420 x H-65	W-700-720 x D-400-420 x H-65	W-700-720 x D-400-420 x H-65	
		\$646 Usual: \$706	\$646 Usual: \$706	\$646 Usual: \$706	\$676 Usual: \$736	\$736 Usual: \$796	\$726 Usual: \$826	\$946 Usual: \$1046	\$946 Usual: \$1046	\$946 Usual: \$1046	\$1,017 Usual: \$1117	\$1,606 Usual: \$1706	\$1,117 Usual: \$1217	\$1,326 Usual: \$1426	\$1,406 Usual: \$1506	\$1,506 Usual: \$1606
EB-248SV		W-534 x D-465 x H-30	W-534 x D-465 x H-30	W-534 x D-465 x H-30	W-534 x D-465 x H-30	W-534 x D-465 x H-30	W-534 x D-465 x H-30	W-534 x D-465 x H-30	W-534 x D-465 x H-30	W-534 x D-465 x H-30	W-534 x D-465 x H-30	W-534 x D-465 x H-30	W-534 x D-465 x H-30	W-534 x D-465 x H-30	W-534 x D-465 x H-30	
		\$686 Usual: \$746	\$686 Usual: \$746	\$686 Usual: \$746	\$716 Usual: \$776	\$776 Usual: \$836	\$766 Usual: \$866	\$986 Usual: \$1086	\$986 Usual: \$1086	\$986 Usual: \$1086	\$1,057 Usual: \$1157	\$1,646 Usual: \$1746	\$1,157 Usual: \$1257	\$1,366 Usual: \$1466	\$1,446 Usual: \$1546	\$1,546 Usual: \$1646



	ER-9060	ER-9080	EH-2930	EH-2980	EH-2988	EH-6388	EH-6689	EH-6910	EH-6920	EH-6980	EH-2680	EH-2683	EH-2688	EH-2689	
Hood	 W-600 x D-500 x H-80 Airflow: 450m ³ /h	 W-900 x D-500 x H-80 Airflow: 450m ³ /h	 W-900 x D-485 x H-140 Airflow: 450m ³ /h	 W-900 x D-420 x H-50+70 Airflow: 550m ³ /h	 W-900 x D-500 x H-100 Airflow: 720m ³ /h	 W-900 x D-500 x H-718 Airflow: 800m ³ /h	 W-898 x D-500 x H-618 Airflow: 800m ³ /h	 W-900 x D-470 x H-455 Airflow: 850m ³ /h	 W-900 x D-500 x H-555 Airflow: 1000m ³ /h	 W-900 x D-500 x H-325 Airflow: 800m ³ /h	 W-900 x D-500 x H-555 Airflow: 1200m ³ /h	 W-900 x D-430 x H-905 Airflow: 1200m ³ /h	 W-900 x D-400 x H-860 Airflow: 1200m ³ /h	 W-900 x D-440 x H-850 Airflow: 1000m ³ /h	
Hob	 W-530-560 x D-430-460 x H-55	 W-685-710 x D-380-410 x H-65	 W-670-740 x D-350-460 x H-65	 W-740-840 x D-430-460 x H-65											
EGH-18LSV	\$716 Usual: \$776	\$716 Usual: \$776	\$716 Usual: \$776	\$746 Usual: \$806	\$806 Usual: \$866	\$796 Usual: \$896	\$1,016 Usual: \$1116	\$1,016 Usual: \$1116	\$1,087 Usual: \$1187	\$1,676 Usual: \$1776	\$1,187 Usual: \$1287	\$1,396 Usual: \$1496	\$1,476 Usual: \$1596	\$1,576 Usual: \$1676	
EGH-208SV	\$646 Usual: \$706	\$646 Usual: \$706	\$646 Usual: \$706	\$676 Usual: \$736	\$736 Usual: \$796	\$726 Usual: \$826	\$946 Usual: \$1046	\$946 Usual: \$1046	\$1,017 Usual: \$1117	\$1,606 Usual: \$1706	\$1,117 Usual: \$1217	\$1,326 Usual: \$1426	\$1,406 Usual: \$1506	\$1,506 Usual: \$1606	
WG-2SV	\$646 Usual: \$706	\$646 Usual: \$706	\$646 Usual: \$706	\$676 Usual: \$736	\$736 Usual: \$796	\$726 Usual: \$826	\$946 Usual: \$1046	\$946 Usual: \$1046	\$1,017 Usual: \$1117	\$1,606 Usual: \$1706	\$1,117 Usual: \$1217	\$1,326 Usual: \$1426	\$1,406 Usual: \$1506	\$1,506 Usual: \$1606	
WG-3SV	\$716 Usual: \$776	\$716 Usual: \$776	\$716 Usual: \$776	\$746 Usual: \$806	\$806 Usual: \$866	\$796 Usual: \$896	\$1,016 Usual: \$1116	\$1,016 Usual: \$1116	\$1,087 Usual: \$1187	\$1,676 Usual: \$1776	\$1,187 Usual: \$1287	\$1,396 Usual: \$1496	\$1,476 Usual: \$1596	\$1,576 Usual: \$1676	

Purchase with Purchase

ELLANE Built-in Oven

Usual price: \$688

Discount additional \$50 for every purchase with above Package Deal!

